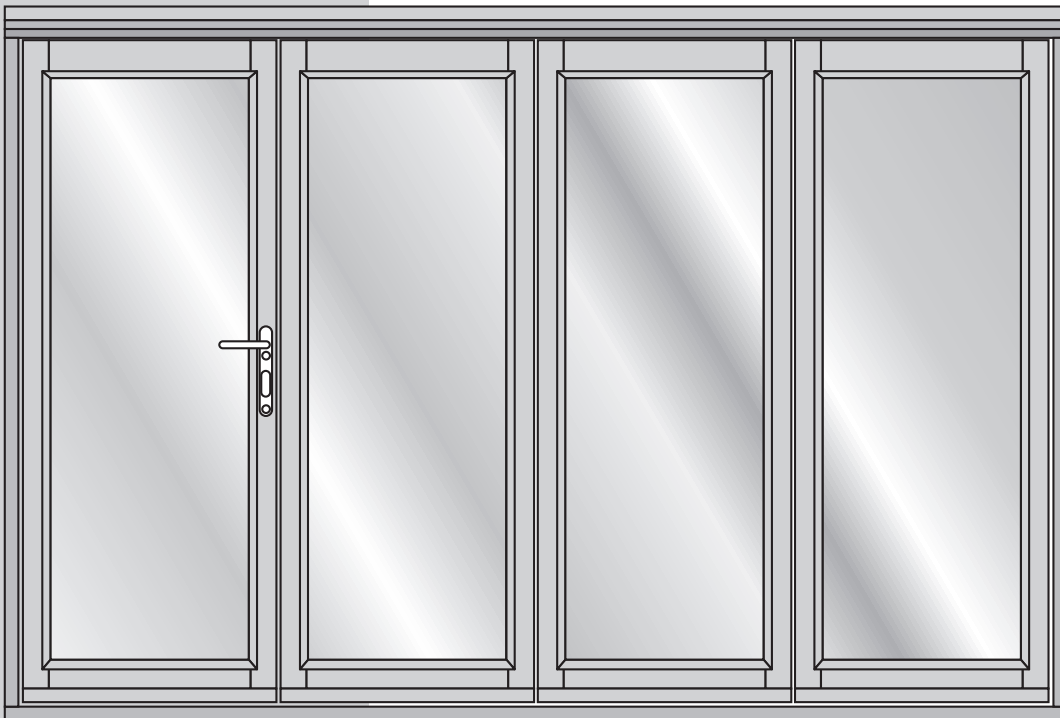


# Sliding Folding Patio 4 Door Set

T10 Set - (Approx. 10ft)

## Assembly Instructions



# About your patio door set

All products must be installed in accordance with accepted good trade practice (and in accordance with supplied instructions where applicable), and maintained in accordance with these procedures or else the warranty shall be void.

## Important information

- We recommend that a competent tradesperson install this product.
- A single person must **never** carry out the installation, as some components are very heavy.
- The Outer-Frame Head requires fixing to the building lintel over the opening. The lintel **must** be capable of carrying the load of the door in all conditions. If in doubt consult a structural engineer.

### Automatic Closers and Operators

- The hardware systems are designed for manual operation. Poorly adjusted automatic operator closers can impart significant destructive forces to tracks, bearings and stops. Such hardware used in installations is expressly excluded from warranty terms.

### Care of Timber Doors and frames on site

- Please check doors, frame and sill at time of delivery to ensure that they are acceptable and in good condition. If you find a component missing or damaged please inform your supplier immediately. We keep replacement components of most set parts and these can be sent out to you quickly. This will save you having to re-package and return the whole set, and allows you to continue with the project.
- When storing prior to installation the doors and frames should be kept in their packaging, handled with care and stored in a dry, ventilated building. Doors and frames should be stored flat on a level surface (not on edge or on end).
- Doors should not be stored or fitted in the building until the wet trades such as plastering, painting etc. Have been completed and the room is dried out.

### Finishing prior to Installation

- See **Pre-finishing the wooden parts** - Very important: We do not recommend wax or oil finishing systems such as Linseed oil or Teak oil.

### Trimming

- This Tri-Fold door set is not designed to be trimmed on site and should be fitted as supplied.

### Conditions of Sale

- We shall not be held responsible for any incidental work expenses arising out of or because of any defect in our product, or bad workmanship to our product. In the event of the goods having manufacturing defects and requiring replacement, our liability will be limited to the value of the door or frame or hardware component only. These notes do not affect your statutory rights with the retailer of this product.

## Maintenance

*Hardware in buildings is subject to deterioration from everyday use, and also environmental attack due to atmospheric and other conditions. Maintenance of hardware is even more important in severe environments such as coastal marine areas, and some industrial areas. Even stainless steel products require maintenance to prevent deterioration in some environments. We require the following minimum maintenance to be followed otherwise the warranty shall be void.*

### Track and Bearings:

Using a spatula or similar (not your fingers), apply a small amount (typically a 1/2 teaspoon of white petroleum jelly (Vaseline) or similar lubricant to the inner lip of each side of the track. Ensure that the wheels pass through the lubricant and it is distributed evenly along the track. Put additional lubricant around bearings. Lubricant reduces wear, improves smoothness and further protects against corrosion of track and bearings. Remove all surface contaminants by wiping all visible track surfaces with a damp soft cloth and mild detergent, then wipe clean with a clean cloth. In severe environments, apply a thin film of corrosion preventative such as WD40, by wiping with a soft cloth moistened with one of these products.

Stainless steel bearings are manufactured from hardening-grade stainless steel and although this material performs considerably better than plated steels, it is susceptible to corrosion unless maintained as described above.

### Hangers, Pivots and Brackets:

A light spray application of a corrosion preventative such as WD40, followed by a light wipe with a dry cloth to remove excess, is recommended to all hangers, pivots and brackets. Exposed surfaces should first be wiped with warm soapy water and a soft rag, and then rinsed clean before applying preventative.

### Hinges:

Wipe down the visible surfaces with warm soapy water on a soft rag and then rinse off by wiping with a clean damp rag. Application of a thin film of light machine oil or WD40 will help to maintain the original lustre of the metal finish. Be careful not to get these compounds on the timberwork itself as may cause staining.

### Drop bolts:

Spray application of a suitable lubricant such as WD40 to the sliding pin inside the bolt and to the lock cylinder is recommended. A tube attached to the nozzle will help to concentrate the spray where you want it to go. There are access holes or slots on all drop bolt products so that this can be done without removing the locks from the doors.

### Frequency:

The procedures mentioned above need to be carried out as often as is necessary to prevent deterioration in the installed environment, however we recommend the following minimum frequency of application:

General environment -	6 monthly
Marine environment -	3 monthly

*Please be careful not to get the lubricants or other liquids above on the Timber components as may cause staining of the timber.*

### The properties of timber

No two trees produce identical grain or colour of wood and this adds to the beauty of a natural product. We therefore cannot guarantee that all doors and frame components will look exactly the same in grain and colour. Warping of wood is not a defect if it does not exceed 1/4 inch (6mm) in its installed position.

### Maintaining the doors and frame

We suggest additional treatment and finishing may be required at least once a year or sooner if there is any indication of deterioration in the wood protective finish used.

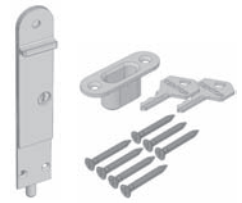
# Contents (1)

Please check the contents of the packages to ensure that all parts are present before beginning assembly.

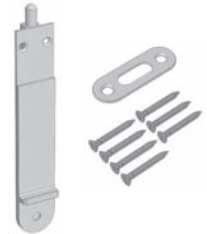
## Timber parts

- Door 1 - Pivot hinge door - quantity 1
- Door 2 - Mid door - quantity 1
- Door 3 - End door - quantity 1
- Door 4 - Access door - quantity 1  
Door size = 1972 x 719 x 54mm
- Top frame section includes aluminium top track - quantity 1
- Side frame sections (jambs) - quantity 2
- Sill bottom section includes aluminium bottom track - quantity 1
- Frame and track installation bag - quantity 1

- Drop bolt keyed - quantity 2
- Keyed drop bolt  
fixing pack - quantity 2 packs
- Includes drop bolt cup



- Drop bolt non keyed - quantity 2
- Non-keyed drop bolt  
fixing pack - quantity 2 packs
- Includes drop bolt striker plate



## Hardware

- Top pivot - quantity 2
- Top pivot fixing pack - quantity 2 packs



- Bottom pivot - quantity 2
- Bottom pivot fixing pack - quantity 2 packs



- Half offset hinges - quantity 3
- Half offset hinges  
fixing pack - quantity 1 pack



- Intermediate carrier - quantity 1
- Intermediate  
fixing pack - quantity 1 pack



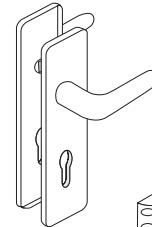
- Straight Hinge - Quantity 1
- Straight Hinge  
fixing pack - quantity 1 pack



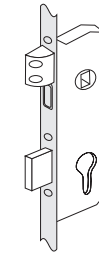
- Intermediate guide - quantity 1
- Intermediate guide  
fixing pack - quantity 1 pack



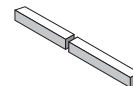
- Door handles - quantity 2



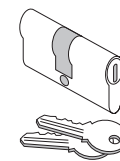
- Lock mechanism - quantity 1



- Spindle - quantity 1



- Euro cylinder lock - quantity 1
- Keys - quantity 2



- Latch striker plate - quantity 1
- Latch striker plate  
fixing pack - quantity 1 pack



Lock

keep - quantity 1





- Lock fixing pack - quantity 1 pack (32 screws)







# Contents (2)

Please check the contents of the packages to ensure that all parts are present before beginning assembly.

## Seals T10

	Draft seal AQ21	2.9 metres x 2 2.0 metres x 4
	Draft seal Brush seal	2.3 metres x 1 0.85 metres x 1
	Draft seal AQ63	2.0 metres x 4
	Draft seal AQ109	2.0 metres x 2

## Installation Bag Contents

Direct Frame Fixings	- quantity 22	
Hardened Steel Wood Screws		
M5 x 100mm	- quantity 4	
M5 x 70mm	- quantity 4	
M5 x 60mm	- quantity 4	
Torx T30 Insert Bit	- quantity 1	
Pozi No.2 Insert Bit	- quantity 1	
HSS Long Series Drill Bit	- quantity 1	
6.5mm x 148mm		
SDS Drill Bit	- quantity 1	
6.5mm x 210mm		
Installation Instructions	- quantity 1	

## Pre-finishing the wooden parts

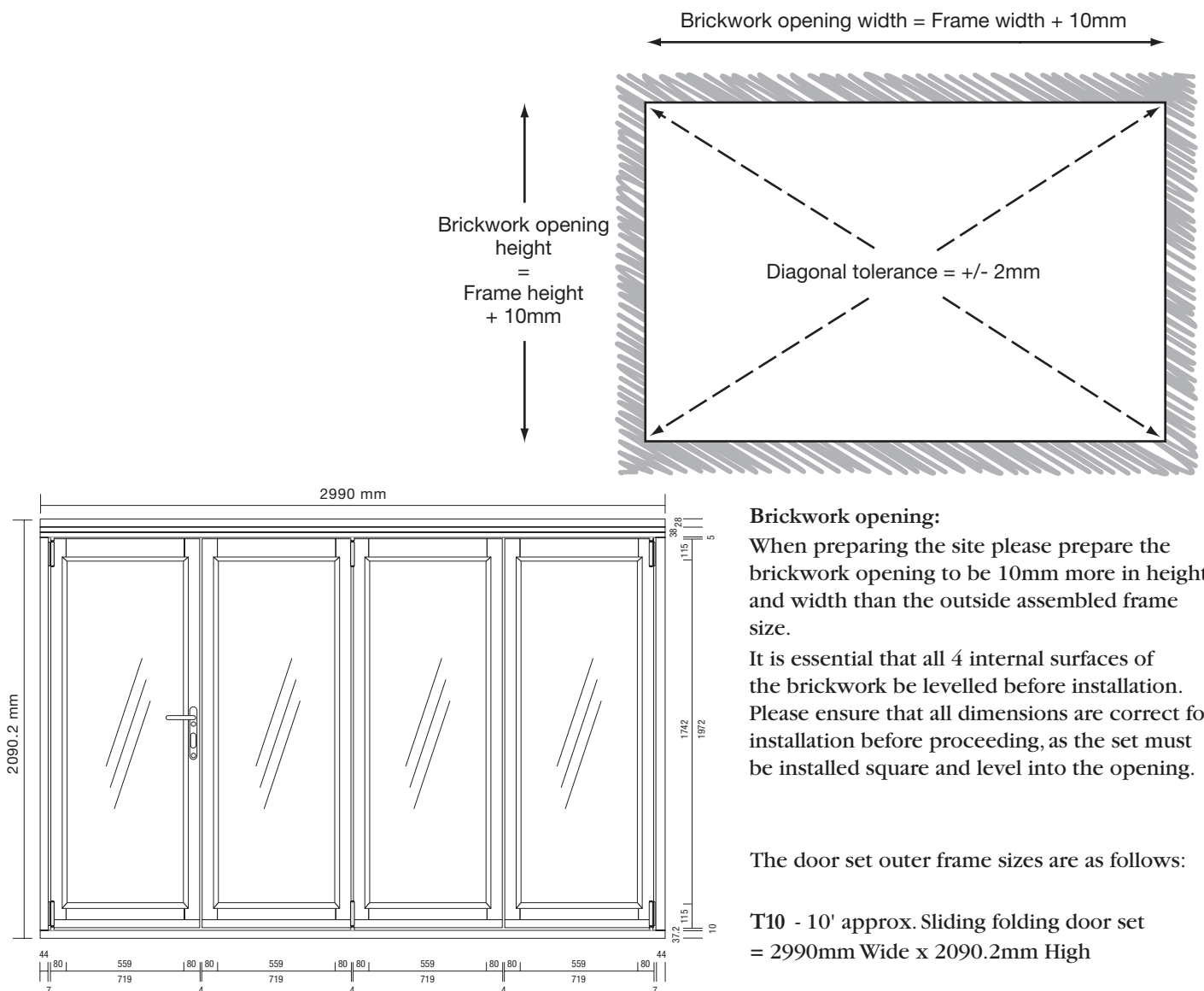
After you have checked the parts list to ensure you have all the parts ready and all components are in good condition (replacement parts are available) please carry out the pre-finishing procedure specified.

*Please do not proceed with installation or assembly before applying high quality water-repellent sealant to all wooden parts as recommended below. It will be difficult for you to apply the sealants correctly once the product is assembled and installed. Failure to do this will cause the wooden parts to break down in UK weather conditions.*

- Apply at least 3 coats of water-repellent protective finish to all faces, edges and top/bottom of each door and wood frame component prior to starting assembly or installation. Ensuring the backs of each frame is well sealed. For your convenience the under side of the wood components in the sill have received a factory applied sealant coating therefore there is no need to remove from the assembled sill. Just finish the exposed wooden areas of the sill in its assembled form as supplied.
- Apply a further coating of water-repellent protective finish to the back of the frame once the frame has been assembled and just prior to installation - all 4 edges.
- Apply a further topcoat of water-repellent protective finish to the tops and bottom of each door before installing the hardware or installation. The tops and bottom of each door are critical areas to finish, as this is the end grain area of the timber where moisture absorption will occur.
- If any scratches are incurred during installation please give another coating.
- We do not recommend wax or oil finishing systems such as linseed oil or teak oil.

**Very Important: Do not use steel wool or allow steel or iron fragments to come into contact with the untreated oak timber as this will cause oxidation resulting in black stains.**

## Preparing the site



## Assembling the frame

**1** Fix right and left frame jambs to the frame head using wood screws provided. - 100mm at back, 70mm in centre and 60mm at front. Apply a bead of silicone sealant to the touching joint surfaces before assembly.

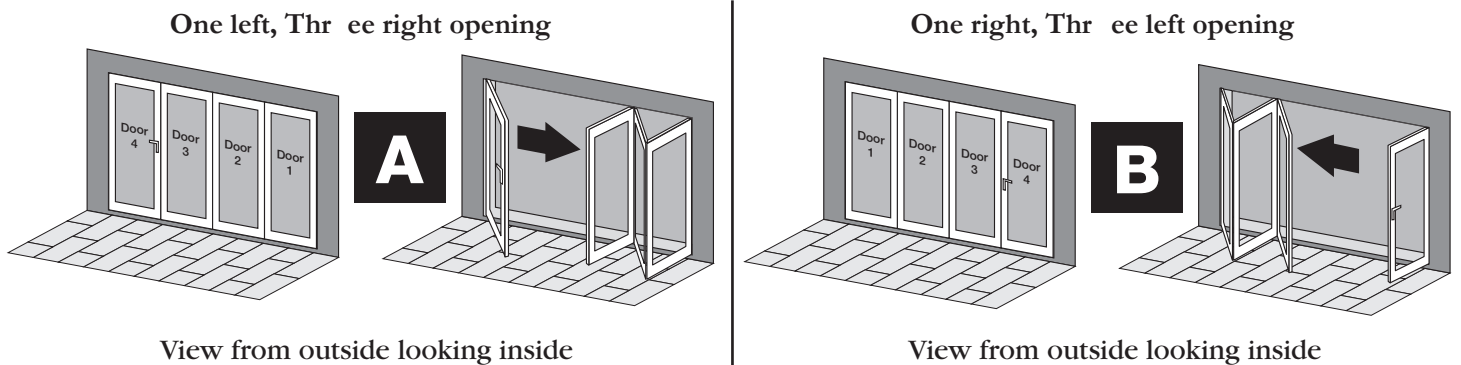
**2** Fix cill to the left and right jambs using the wood screws provided - 100mm at back, 70mm in centre and 60mm at front. Apply a bead of silicone sealant to the touching joint surfaces before assembly.

**3** Frame assembled with end plate of cill to outside of jamb.

**4** Very Important . Carefully check frame is tightly fixed together and is square. Diagonals of frame must be equal +/- 2mm. *Do not proceed with the installation if the frame is not square.*

## Opening options

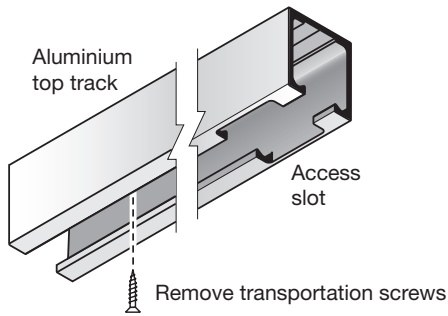
- 5** Choose the opening direction before installing the frame. The door set is reversible, with One left, Three right (1L3R) or Three left, One right (1R3L) opening options. Before assembling the frame or fitting the doors, choose the direction you wish the doors to open. This will determine which instructions, **A** or **B**, to follow and which door to fit first. (The doors always open outwards.)



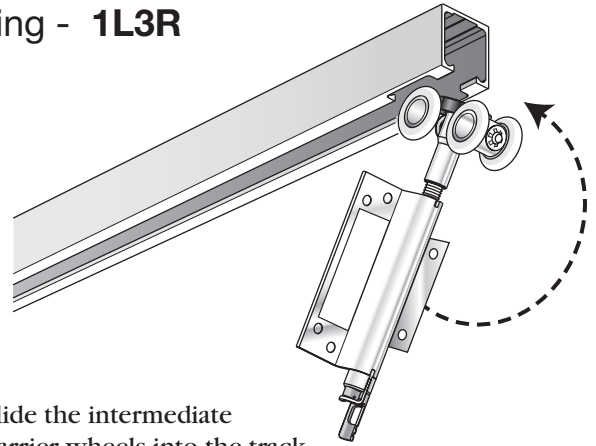
Follow the appropriate instructions for your choice of opening.  
Follow **A** for Right opening. Follow **B** for Left opening.

## Assembling the top track

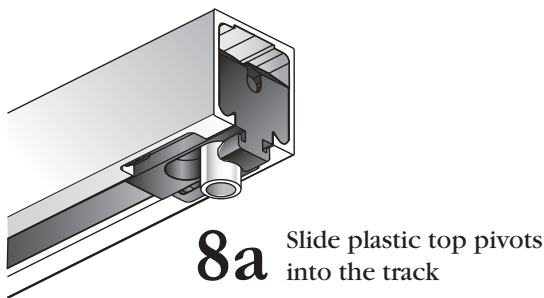
### A Instructions for One left, Three right opening - 1L3R



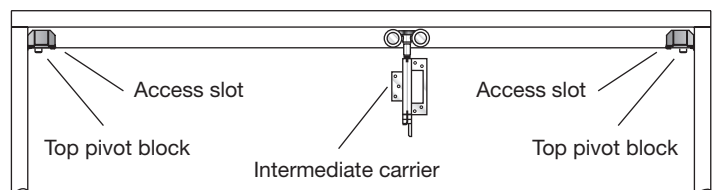
**6a** Remove the two transportation screws to release the aluminium top track from the frame head.



**7a** Slide the intermediate carrier wheels into the track.



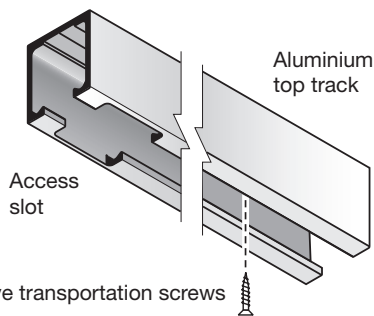
**8a** Slide plastic top pivots into the track



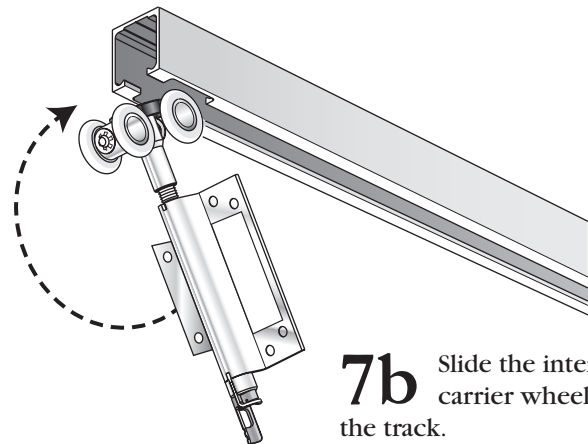
**9a** Re-secure the top track to the frame head using the two transportation screws **only** at this stage. **Very Important - Place the side of the track with three holes close together on the right side.**

## Assembling the top track

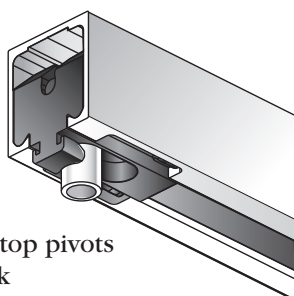
### B Instructions for Three left, One right opening - 1R3L



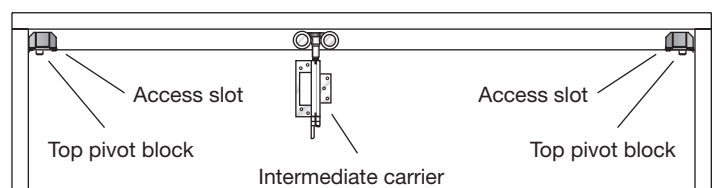
**6b** Remove the two transportation screws to release the aluminium top track from the frame head.



**7b** Slide the intermediate carrier wheels into the track.



**8b** Slide plastic top pivots into the track



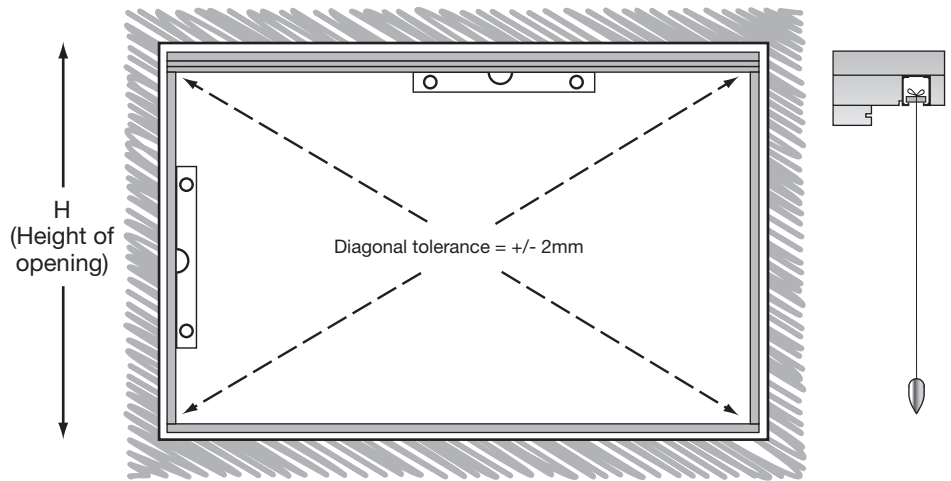
**9b** Re-secure the top track to the frame head using the two transportation screws **only** at this stage. **Very Important - Place the side of the track with three holes close together on the left side.**

# Installing the assembled frame

Proceed to install the assembled frame ensuring that the sill faces to the outside. **It is critical that the frame is fitted square and level** with tolerances as follows. Ensure the frame is installed straight and square, if necessary use shims (packers) between the frame and the brick opening.

The height (H) must be the same across the whole width of the opening, +/- 2mm.

The diagonals must be the same, +/- 2mm.



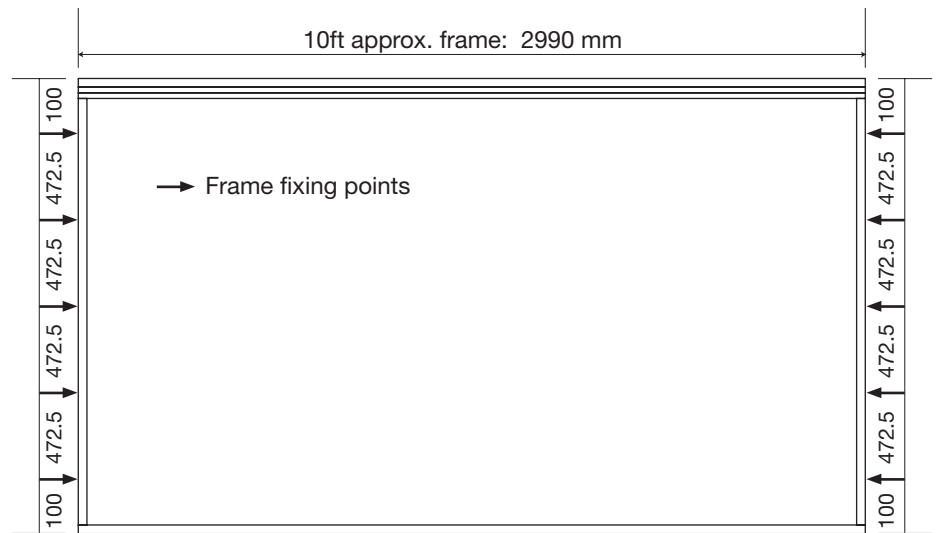
**10** Fix the outer frame into the brickwork, **setting it to overhang the cavity**. Install sill onto a bed of silicone sealant and/or mortar.

Fix the outer frame to the brickwork through both jambs with 5 fixings at spacing shown using the **direct frame fixings** provided (unless the construction of your building requires more appropriate fixings to suit the individual dwelling). Countersink holes in frame.

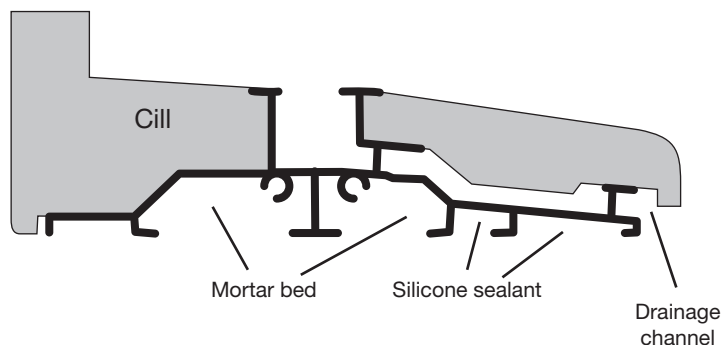
Use the **direct frame fixings** as follows:

- 1) Use the 6.5mm HSS drill (supplied) to drill holes in frame jambs, aluminium track and steel.
- 2) Use the 6.5mm SDS masonry drill (supplied) to drill into brickwork.
- 3) Use the Torx T30 bit (supplied) to screw in the **direct frame fixings**.

**Do not fix through the aluminium part of the sill as this may damage the drainage system.**



 Direct Frame Fixing

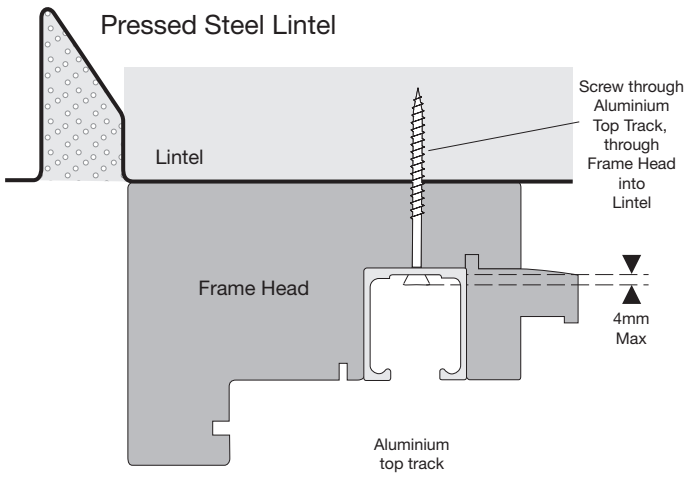


## Important information about **direct frame fixings**

The Direct Frame Fixings supplied will screw directly into brickwork and up to 2.5mm thickness of steel. It is essential to use the 6.5mm drills and Tork T30 bit provided to ensure a secure fixing.



## Installing the assembled frame *continued*



**11** The aluminium top track, which is temporarily held in place with transit screws, has been pre-drilled for fixing points into the Lintel. The aluminium track must be securely fixed, through the head of the frame, into the lintel using the **direct frame fixings** provided.

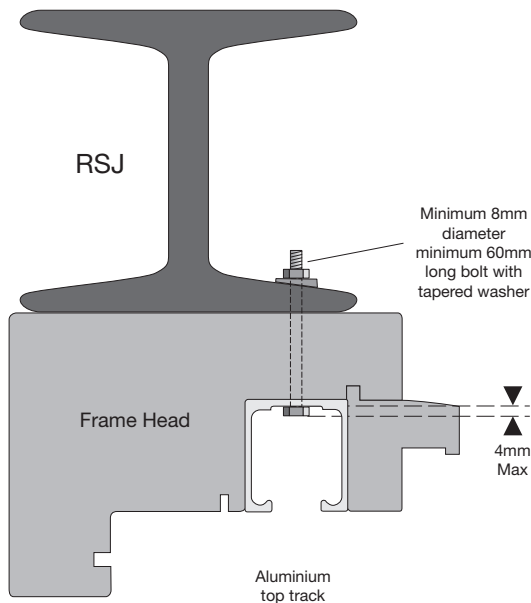
Use the **direct frame fixings** as follows:

- 1) Locate the 11 pre-drilled holes in the aluminium top track.
- 2) Use the 6.5mm HSS drill (supplied) to drill through pre-drilled holes, through timber frame head and through pressed-steel lintel.
- 3) Use the 6.5mm SDS masonry drill (supplied) to drill through same holes into brickwork above lintel.
- 4) Use the Torx T30 bit (supplied) to screw in the **direct frame fixings**.

**IMPORTANT:** Fixings must fix through aluminium track, frame head and lintel. (The fold and slide system is “top hung” so all the weight is supported from the aluminium top channel and the head of the timber frame, hence the importance of a secure fixing into the lintel, to enable the system to work correctly.)

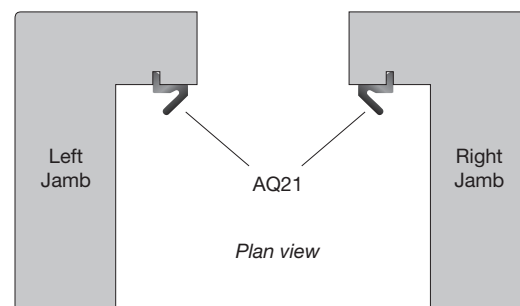
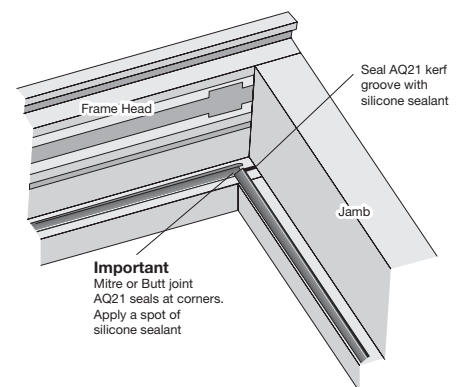
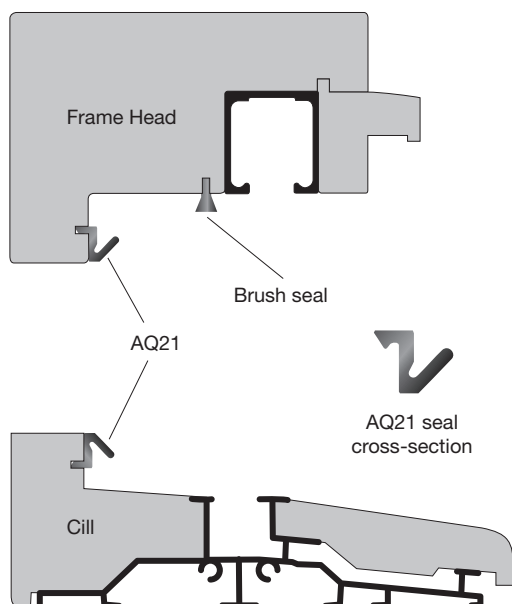
*Please note that the maximum screw head that can be used is 4mm without inhibiting the performance of the sliding/folding action. (Wheels along upper track). We have provided fixings to suit a steel lintel. For any other type of lintel such as concrete, timber or other we recommend you consult with a structural engineer before deciding on the best fixings to use.*

For fixing into RSJ / "I" Lintel use nuts and bolts (not provided). Do not use **direct frame fixings**.



## Fitting the seals to the frame

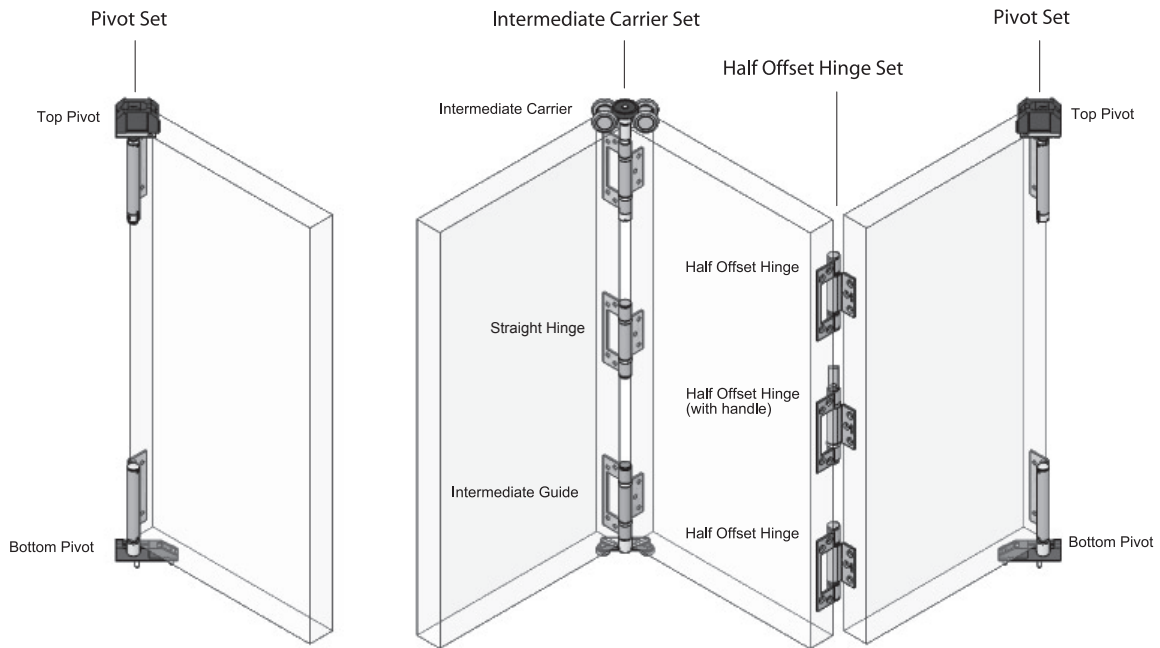
**12** Once the frame is fixed into place, fit the weather seals (AQ21) to the frame and the brush seal into the frame head.



# Overview of door and hardware arrangement

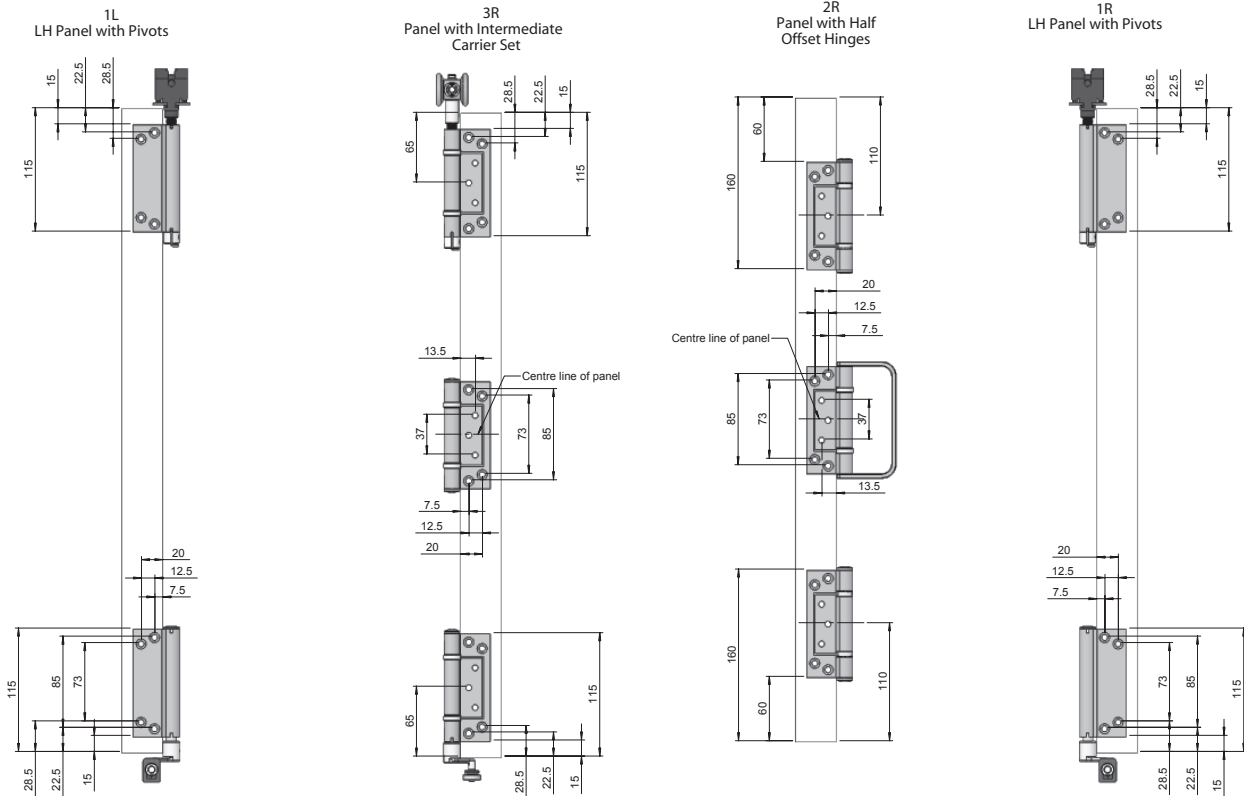
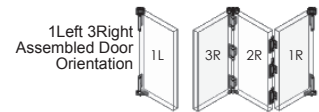
13a

Choice **A** for One left, Three right opening - **1L3R**



### 1L3R Assembly Details

- ⊙ Fit to this door
- Fit to the other door

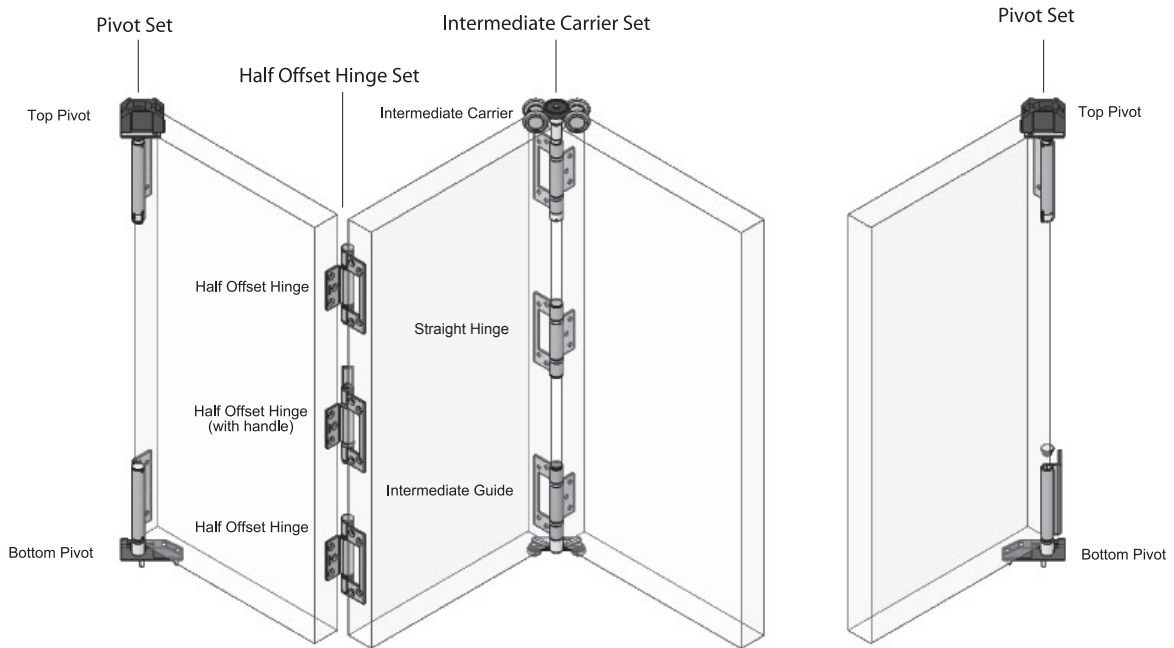


Note: Pivots are reversible. For this option 'A' it is necessary to take the top and bottom pivots apart to reverse them - see 16

# Overview of door and hardware arrangement

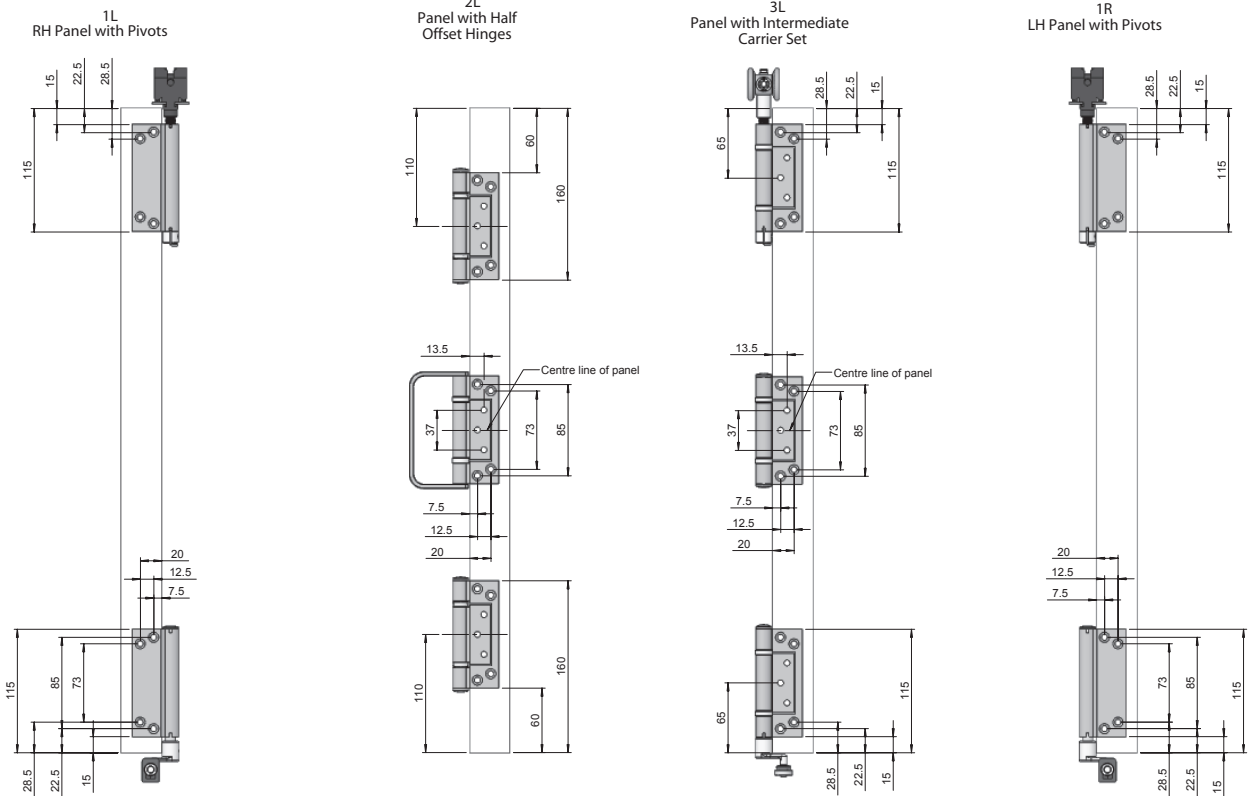
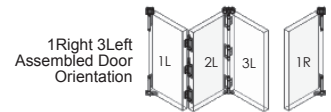
## 13b

Choice **B** for Three left, One right opening - **1R3L**



### 1R3L Assembly Details

- ◎ Fit to this door
- Fit to the other door

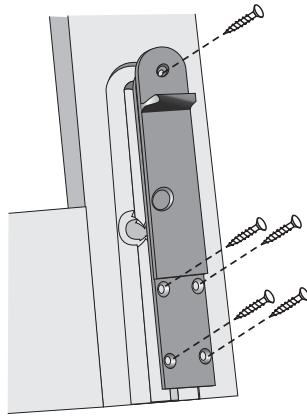


Note: Pivots are reversible. The pivots are delivered set up for this option 'B' - Use without change.

## Fitting the dropbolts

**14** Fit the keyed drop bolts to the bottom of door 1 and door 3 using the pre-cut positions.

Fit the non-keyed drop bolts to the top of door 1 and door 3 using the pre-cut positions.



**15** Fit the keyed drop bolt cups to the cill in the pre-cut positions.

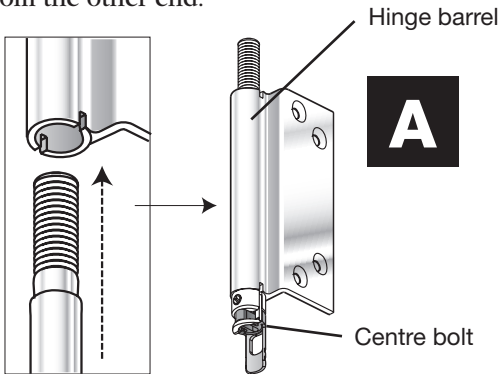
Fit the non-keyed drop bolt striker plates to the frame head in the pre-cut positions.



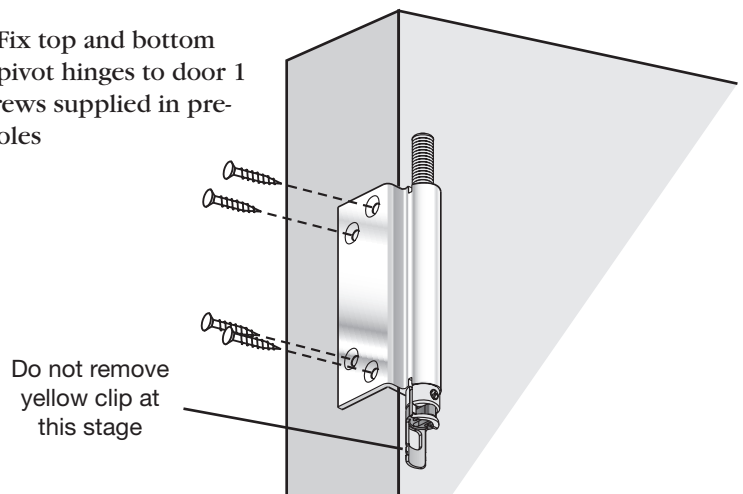
## Fitting the pivot door (door 1)

Before fitting door 1 thoroughly clean the top and bottom tracks

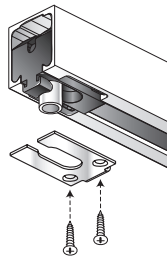
**16** Reversing top pivot - Applicable to option **A** only. Carefully remove centre bolt from hinge barrel then re-insert from the other end.



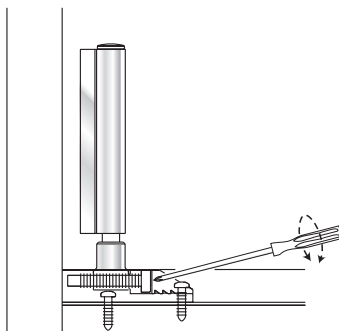
**17** Fix top and bottom pivot hinges to door 1 using screws supplied in pre-drilled holes



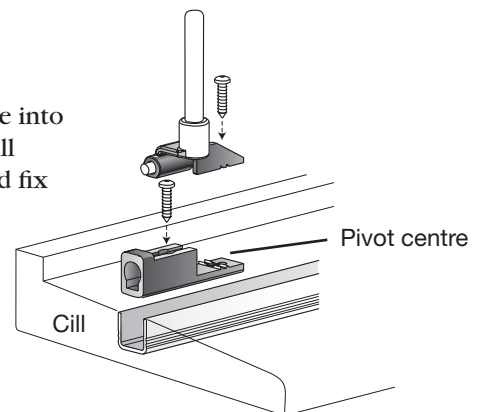
**18** Assemble top pivot block. Slide and click cover plate onto the pivot block. Screw through cover plate into rear of access slot.



**19** Remove centre part of bottom pivot

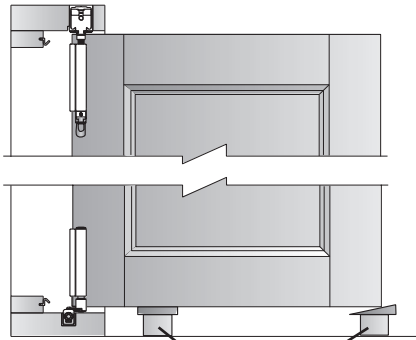


**20** Insert pivot base into cill channel. Drill pilot hole in channel and fix with self-tapping screw. Re-assemble centre part with pivot to **outside**. Drill second pilot hole and fix with self-tapping screw through complete unit



## Fitting the pivot door (door 1) *continued*

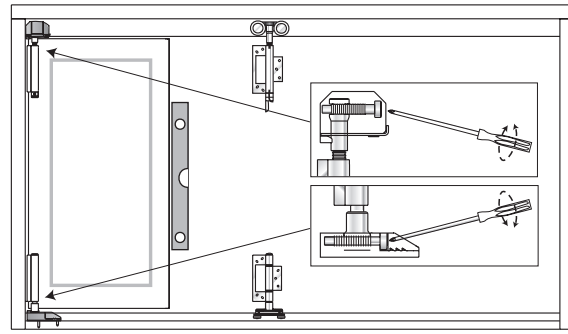
**21** Lift door onto bottom pivot. Support door then screw top pivot centre bolt into pivot block until door swings freely.



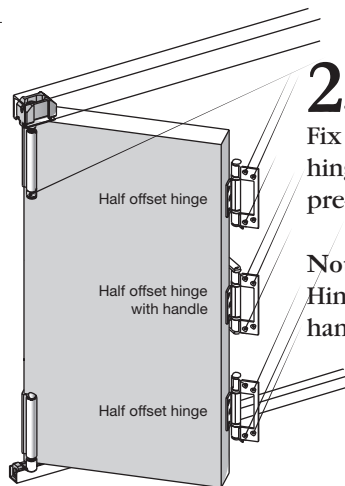
Temporary supports

**Note:**  
Screwing top pivot bolt in and out adjusts height.

**22** Adjust alignment of pivot door as shown. Leave a 7mm gap between the door edge and the frame jamb.



**23** Fit half offset hinges to the inside edge of door 1. Fix through small centre part of hinges using screws provided in pre-drilled holes.

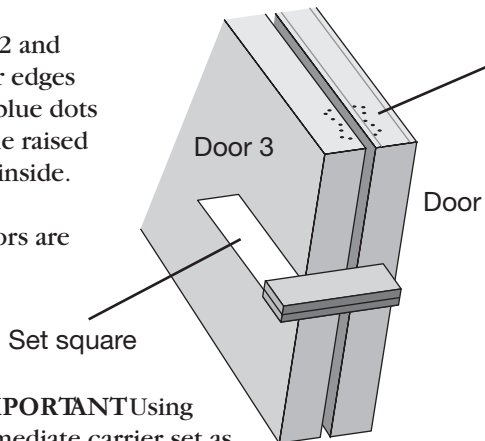


**Note:**  
Hinge barrels and centre hinge handle to *inside*.

## Fitting the middle door (door 2)

**24** Lay door 2 and 3 on their edges with the red and blue dots uppermost and the raised mouldings to the inside.

Make sure the doors are level.



The red and blue dots on the door edges indicate **approximate positions only** for drilling of pilot holes to fit the intermediate carrier set

Door 2 Use Red dots for Option **A** Right opening

Use Blue dots for Option **B** Left opening

**25** **VERY IMPORTANT** Using the intermediate carrier set as templates on the door edge, refer to drawings 13a or 13b to measure and mark the precise location of the pilot holes to fit the intermediate carrier set.

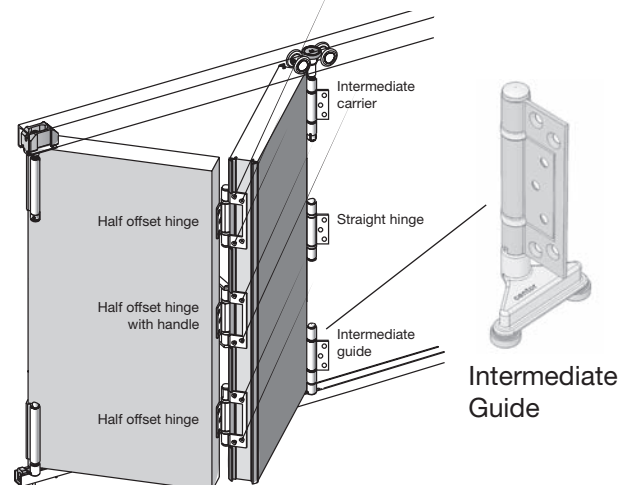
Only when you are sure the exact hole position has been correctly marked, drill pilot holes 2.5mm diameter and 20mm deep in doors 2 and 3.

Finally, fix intermediate carrier set **to door 2 only**.

**26** Lift door 2 and locate intermediate guide in bottom channel. Support door on blocks then screw top carrier bolt into top wheel assembly.

Finally fix door 1 and 2 together using the half offset hinges.

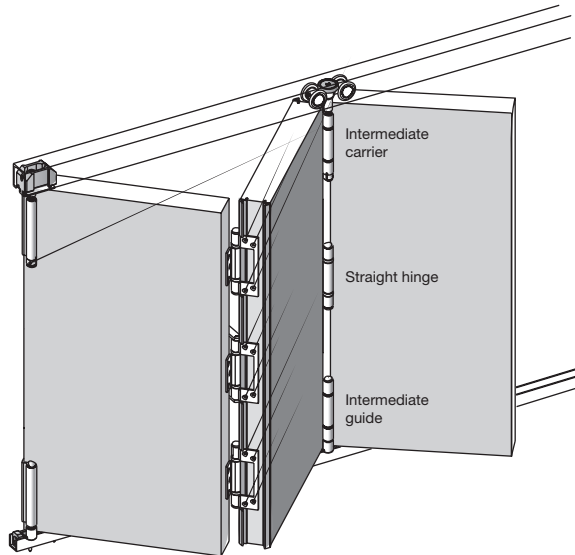
**Note:** Handle to inside



## Fitting the end door (door 3)

**27** Attach door 3 to the Intermediate Carrier and Intermediate Guide using the pre-drilled holes as a guide. Use the Straight Hinge in the central position.

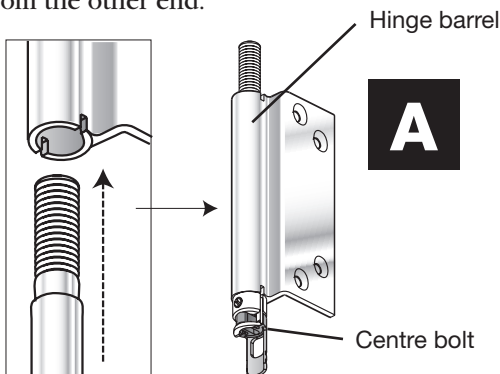
Drawings in this section show the arrangement of parts for Opening Option **B**



## Fitting the access door (door 4)

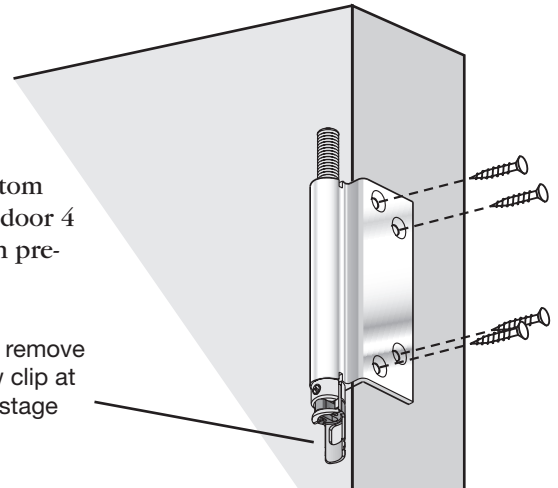
Before fitting door 1 thoroughly clean the top and bottom tracks

**28** Reversing top pivot - Applicable to option **A** only. Carefully remove centre bolt from hinge barrel then re-insert from the other end.

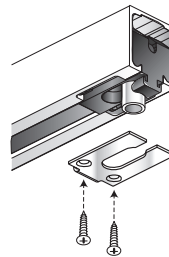


**29** Fix top and bottom pivot hinges to door 4 using screws supplied in pre-drilled holes

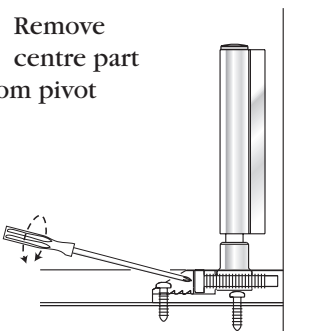
Do not remove yellow clip at this stage



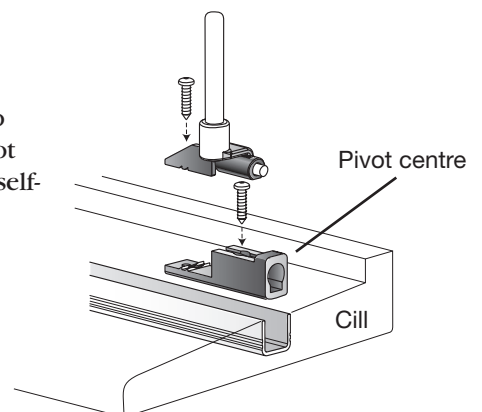
**30** Assemble top pivot block. Slide and click cover plate onto the pivot block. Screw through cover plate into rear of access slot.



**31** Remove centre part of bottom pivot



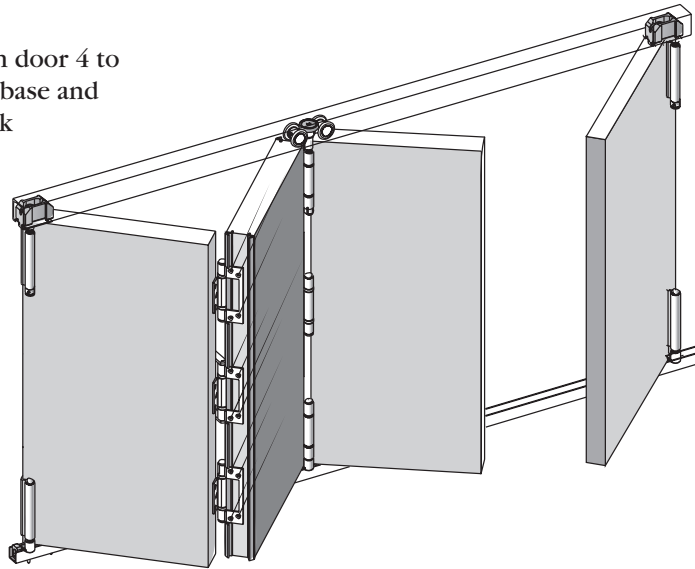
**32** Insert pivot base into cill channel. Drill pilot hole in channel and fix with self-tapping screw. Re-assemble centre part with pivot to **outside**. Drill second pilot hole and fix with self-tapping screw through complete unit



## Fitting the access door (door 4)

**33** Attach door 4 to pivot base and top pivot block

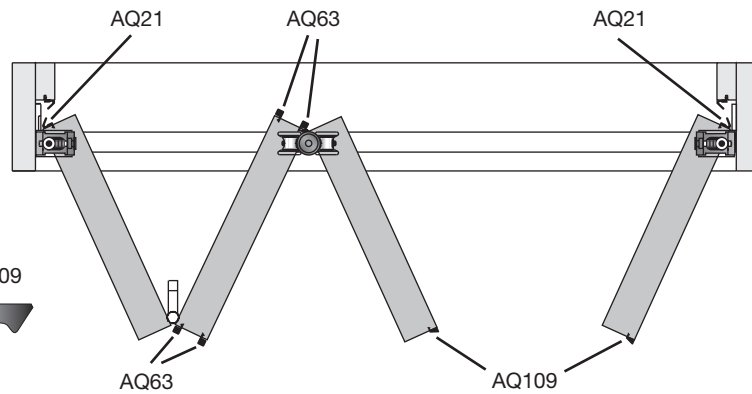
Drawings in this section show the arrangement of parts for Opening Option **B**



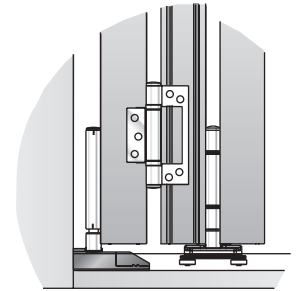
## Fitting the weather seals to the doors

**34** Fit weather seals to doors as follows:

- 1 strip type AQ21 to door 1
- 4 strips type AQ63 to door 2
- 1 strip type AQ109 to door 3
- 1 strip type AQ109 to door 4
- 1 strip type AQ21 to door 4

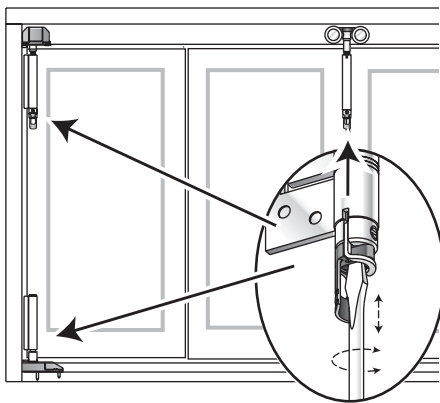


Where necessary, remove sections of seal to accommodate hinges and other hardware

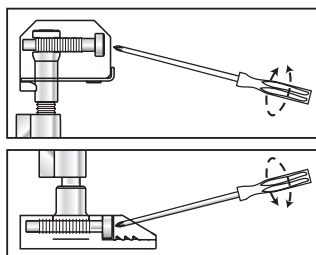


## Adjusting the operation of the doors

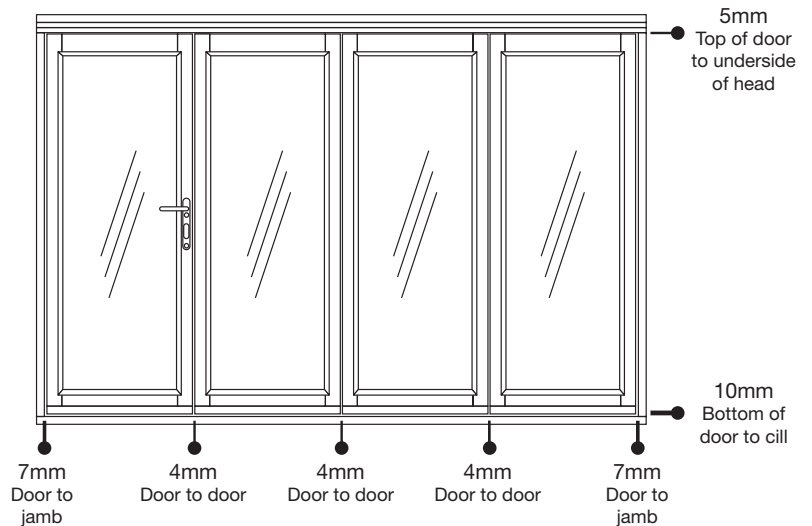
**35** Raise or lower the height of the doors by adjusting the top pivot and intermediate carrier.



**36** Adjust the top and bottom pivots to move the doors left or right.



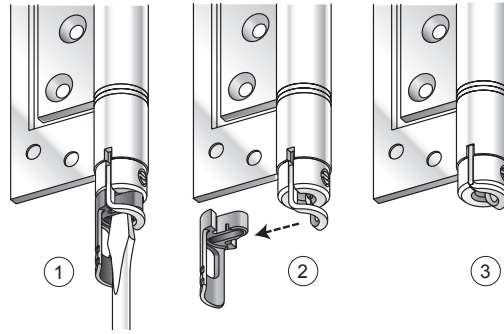
Final adjustment, correct spacing



## Removing the shipping clips

**37** Do not remove the shipping clips until you have made all the necessary adjustments as shown in sections 30 and 31.

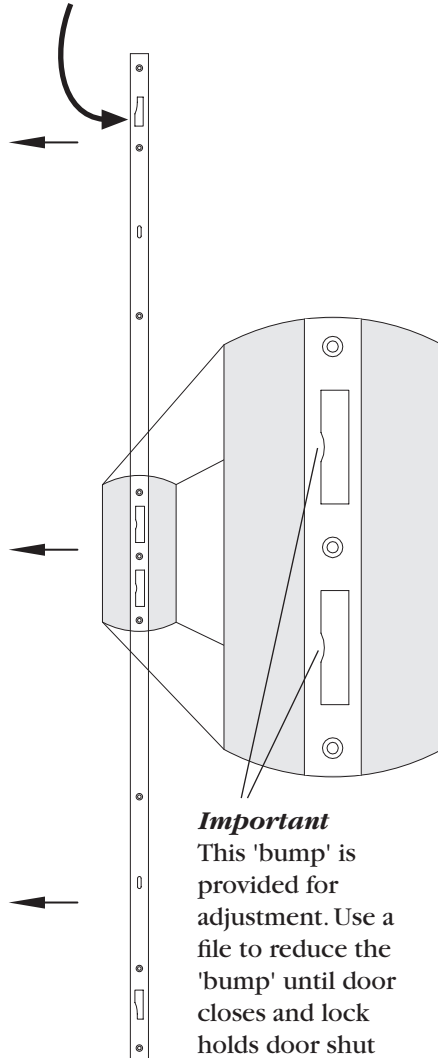
Once you are satisfied with the adjustments you have made, remove the yellow Shipping Clip from the Top Pivot and Intermediate Carrier to lock the position.



## Fitting the lock and handle

**38** Fit lock keep into the edge of door 3 using the pre-cut position. Arrow marking on the keep should always point upwards.

Always fit keep with *this edge* to outside.



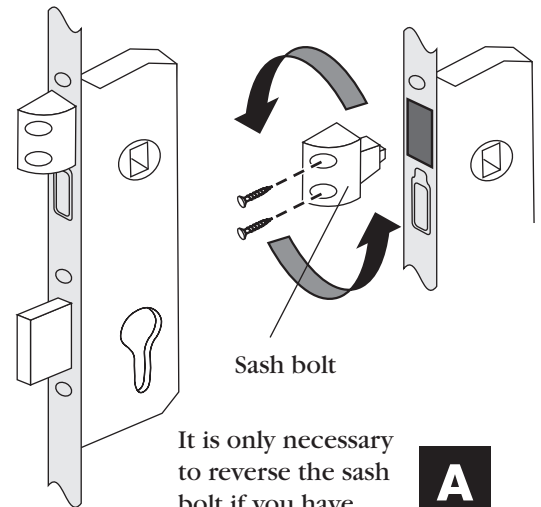
Fit the latch striker plate to the edge of door 3 with the curved 'leading edge' to the outside

**39** If you have chosen opening option A then you will need to reverse the sash bolt in the lock.

Lift handle to fully throw the deadbolt. Remove the two screws and the sash bolt.

Turn the sash bolt through 180° and insert in lock.

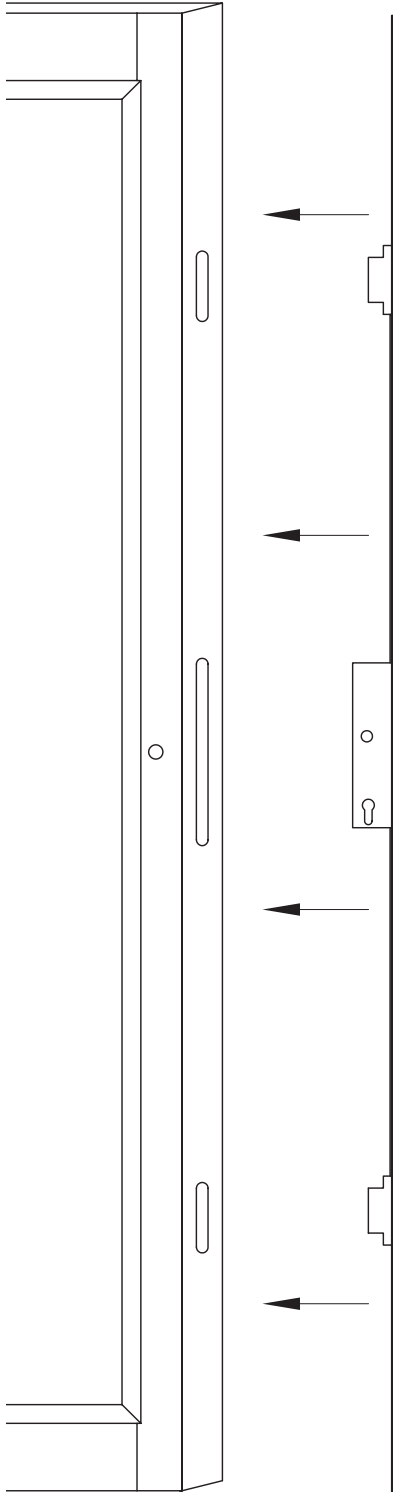
Replace and tighten the two screws.



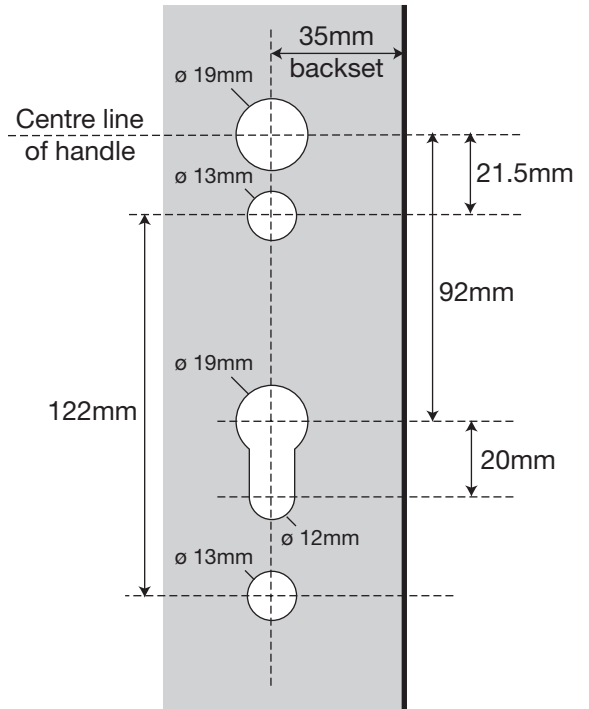
It is only necessary to reverse the sash bolt if you have chosen opening option A.

# Fitting the lock and handle *continued*

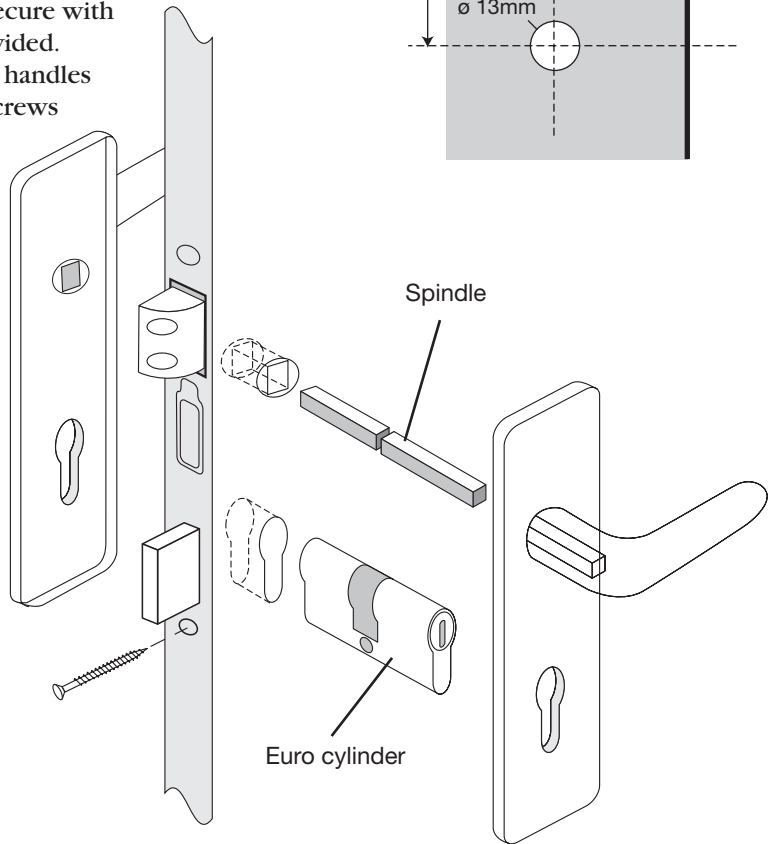
**40** Fit lock into access door and secure with screws provided. The keyhole is always at the bottom.



**41** Carefully mark out and drill the face of the door to fit the Euro cylinder and handle locating holes.



**42** *Fitting spindle assembly.* Insert the spindle end with the spring block into the exterior handle. Insert Euro cylinder lock and secure with screw provided. Secure the handles with the screws provided.



**43** When closing the door set, first close doors 1 and 2, securing them with the dropbolts. Then close and lock doors 3 and 4.

